

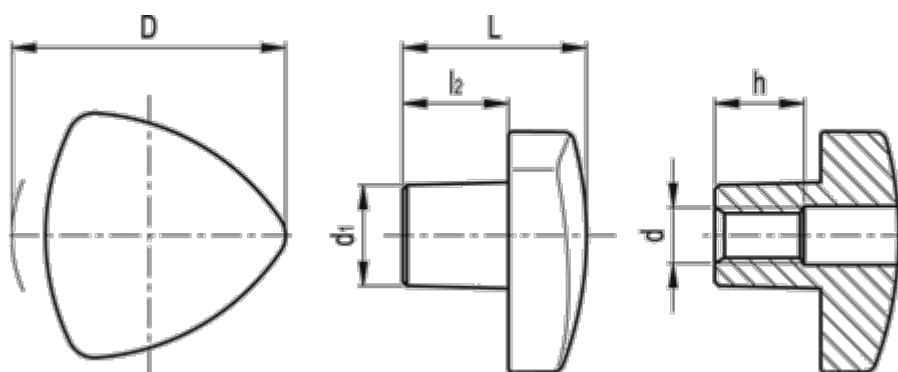
Data Sheet



Article number: 20062467

Description: E+G Lock knob GN 5339.5-50-M10-D-MT
St. steel

Measures



D	= 50
d	= M10
d1	= 18
h	= 16
L	= 33
l2	= 19
Weight (g)	= 145